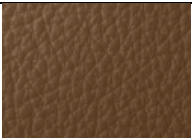


Technical data sheet for ROYAL Leather

Royal Upholstery Leather	
Description	Corrected Grain Leather
Raw Hide	European origin
Type	Bovine
Tanning	Chrome and mixed re-tanning
Finish	Water based coating and finish
Thickness	1,3-1,4 mm
Size	Average 5,2 m ² /hide
Pattern	Embossed grain pattern Vienna
Color	57 colors available from Stock
MOQ	1 hide per color
	FR treatment as option starting with 10 hides
Selection	<p>≥ 50% of the surface area classable as grade A</p> <p>≤ 30% of the surface area classable as grade B</p> <p>≤ 20% of the surface area classable as grade C</p>
Description	<p>With a thickness of 1.3-1.4 mm, ROYAL is extremely well suited for heavy-use areas in the private and office sectors, for restaurants, hotels and for all commercial premises.</p> <p>If needed, small-scale orders can also come with the highest standards of flame resistance (IMO, BS 5852 Crib 5, etc.). Therefore, ROYAL is not only perfect for use in public offices and the aircraft and ship industry, but also for after-market automotive equipment.</p> <p>Thanks to a thin layer of color protection, ROYAL boasts very high abrasion values and the highest possible light fastness. Because only central European bull hides are used as the raw material, ROYAL has excellent ductility, tear strength and flex fastness properties. The skin size is about 5.2 m² and this guarantees perfect cutting scrap results.</p>
FR	Beside standard features additional Flame retardant standards are available upon request.
OPT	The Emotion embossing collection is available also on Royal
	ROYAL Natural enhanced grain pattern.

BOXMARK Leather GmbH & Co KG

Europastraße 11, A-8330 Feldbach, Austria, plant: I/II FN12759p, Landes- als Handelsgericht Graz
 phone.: +43/(0)3152/4171-0, fax: +43/(0)3152/4171-141 bank: Raiffeisen-Landesbank Steiermark, acct.: EUR 36.608,
 e-mail: office@boxmark.com, website: www.boxmark.com bankcode: 38000; IBAN: AT71 3800 0000 0003 6608, SWIFT-
 UID/VAT No.: ATU 27402209, DVR: 0952141 BIC: RZSTAT2G

Physical Test specification for ROYAL Upholstery Leather

Test	Standard	Limit
Weight	DIN EN ISO 2420	1.000 +/- 200 g/m ²
Thickness	DIN EN ISO 2589	1,3-1,4 mm
Tensile Strength	EN ISO 3376-2	≥ 90 N
Elongation at Break	EN ISO 3376-2	30-70 %
Tear Growth Resistance	EN ISO 3377-2	≥ 25 N
Stitch tear resistance	EN ISO 23910	≥ 60 N
Flexing endurance Dry	EN ISO 5402	50.000 no damage
Adhesion of Finish	EN ISO 11644	≥ 3 N
Light fastness (Xénotest)	EN ISO 105- B06	≥ 6 Blue Scale 72 h at 45°C
Rub Fastness Dry	EN ISO11640	1.000 Cycles 5 Grey Scale
Rub Fastness Wet	EN ISO11640	300 Cycles ≥ 4 Grey Scale
Rub Fastness pH = 8	EN ISO11640	80 Cycles ≥ 4 Grey Scale
Taber	EN ISO 17076	500 Cycles (CS-10; 500g)
Fastness to water spotting	EN ISO 15700	≥ 3 (10 minutes)
Color deviation to Master sample	EN ISO 20105-A02	DE ≤ 1
Dye Trough		Complete
Odor	VDA 270-C3	≤ 3 Grade
Dry Heat shrinkage	24h 60°C	≤ 5%

BOXMARK Leather GmbH & Co KG

Europastraße 11, A-8330 Feldbach, Austria, plant: I/II FN12759p, Landes- als Handelsgericht Graz
 phone.: +43/(0)3152/4171-0, fax: +43/(0)3152/4171-141 bank: Raiffeisen-Landesbank Steiermark, acct.: EUR 36.608,
 e-mail: office@boxmark.com, website: www.boxmark.com bankcode: 38000; IBAN: AT71 3800 0000 0003 6608, SWIFT-
 UID/VAT No.: ATU 27402209, DVR: 0952141 BIC: RZSTAT2G

Fire Standards available for Boxmark ROYAL Upholstery Leather

Country	Standard	Requirements fulfilled without dedicated FR treatment
Europe	EN 1021-1 and -2 (April 2006)	Part 1 no ignition Part 2 no ignition
U.K.	BS 5852 (2006)	Hazard level Low: Domestic, Schools, Offices Source 1 - Source 2 -Source 3
France	NF D 60-013	Conform
U.S.A.	NFPA 260:2009	Class I of cover fabric classification
U.S.A.	California TB 117	Class 1 according to C.S. 191-53
IMO	IMO res. A.652 MSC 8/26/add.2 (2010 FTP code) Annex 1 part 8	Upholstered furniture Med Item N° A.1/3.20 - USG Category N° 164.144 Certificate MED039313CS/002 module B Certificate MED017013TS/002 module D
Country	Standard	Requirements fulfilled only with dedicated FR treatment
Austria	ONORM 3800-1	B1 flame retardant Q1 light smoke emission T1 non dripping
U.K.	BS 5852 (2006)	Crib 5 Medium Hazard
Germany	DIN 4102-1 (May 1998)	(B1) DIN 4102 Parts 15/16 – Brandschacht Including (B2) DIN 4102 Part 1 - Kleinbrenner
Switzerland	SN 198'898 (1987)	Classification 5.3 "Schwerbrennbar / schwache Qualmbildung)
France	NF P 92-203	Classification M2
Italy	UNI 9175	Class 1 IM
Spain	UNE 23-727-90	Classification M 1
Russia	Federal law 123-FZ dd. 27 July 2008 "Technical Regulations for fire safety requirements"	Hardly flammable according to GOST R 50810-95, Slowly propagates flame according VNPB-03 annex 2, Smoke toxicity T2 according GOST 12.1.044-89 p.4.20 Smoke density D3 according GOST 12.1.044-89 p.4.18
U.S.A.	Technical Bulletin 133	Conform (Mock UP according TB 133 and BS-V leather)
IMO	IMO res. MSC.61(67)- (FTP Code) Annex 1 Part 2 and Annex 1 Part 5	Surface materials and floor coverings with low spread characteristics –(A) Decorative veneers Med Item N° A.1/3.18a - USG Category N° 164.112 Certificate MED039313CS/001 module B Certificate MED017013TS/001 module D
Air	12-s-vertical Bunsen burner test	CS/JAR/FAR part 25(a)(1)(ii) FAR 25.853 (a) Title 14 CFR Part 25 Appendix F Part I, para. (a)(1)(ii) ABD0031 Test method AITM 2.002 B
Note	Most standards require a composite testing of the Upholstery material and the foam used. Therefore the above-mentioned results are indicative of the composite tested, different foams or padding materials may give a different result.	

BOXMARK Leather GmbH & Co KG

Europastraße 11, A-8330 Feldbach, Austria, plant: I/II FN12759p, Landes- als Handelsgericht Graz
 phone.: +43/(0)3152/4171-0, fax: +43/(0)3152/4171-141 bank: Raiffeisen-Landesbank Steiermark, acct.: EUR 36.608,
 e-mail: office@boxmark.com, website: www.boxmark.com bankcode: 38000; IBAN: AT71 3800 0000 0003 6608, SWIFT-
 UID/VAT No.: ATU 27402209, DVR: 0952141 BIC: RZSTAT2G

Care & Maintenance

Leather is resilient by nature and Boxmark leather is developed to be long lasting by our advanced manufacturing and finishing processes.

Boxmark leather should require little care in normal circumstances and it is not essential to the life of the leather that it should be cleaned daily. At the same time however, an accumulation of dirt and grease over a period of time is undesirable and can become more difficult to remove over time. Dirt and dust is abrasive and in extreme circumstances, can cause damage to the leather's protective finish.

We therefore recommend light regular cleaning simply using a humid cloth and taking care not to soak the leather. Do not use creams, waxes or polishes on your leather as these can cause damage.

Cleaning Routine for High Traffic

Leather used specifically for heavier traffic requires a more thorough cleaning routine.

It's recommended to organize a specific cleaning plan with a specialized company.

The cleaning service in place can use the standard cleaning procedure for leather.

Hints and Tips

- Clean dust off the leather frequently with a soft, dry woolen cloth using light circular movements.
- Wipe leather in a circular fashion with a cloth moistened with a very mild soap solution.
- Remove dirt and stains as quickly as possible in order to avoid residue on the leather.
- Never use chemicals, household cleaners, or other aggressive, caustic, corrosive cleaners.
- Before using cleaners, check the compatibility of the cleaner on a hidden part of the leather.
- If at all possible, avoid long periods of direct sunlight on the leather.
- If the leather does get dirty, never rub hard, but carefully remove the dirt towards the center.
- If the normal cleaner no longer helps for specific, heavy staining, contact a leather-cleaning specialist.

Seasonal cleaning

We recommend performing a deep cleaning 2 times per year, using a specific cleaner and conditioner for smooth leather.

Use the dedicated leather cleaner to clean the entire surface of the leather or remove fresh staining of a watery nature as follows: first carefully remove the coarse dirt with a clean cloth towards the center of the spot, and then clean a large area with the leather cleaner.

Don't rub too strongly, but only work over large areas! Afterwards, let the leather dry well.

After drying use a leather conditioner on a clean, soft cloth and apply it to the leather with light, circular movements. Don't apply the conditioner directly to the leather otherwise it could damage the leather. Allow it to dry and then lightly re-polish it using circular movements.






Wait approximately 15 minutes before polishing.

Let the leather that was treated with the cream dry at least 3 hours before using it again.

Hygiene

You can use also dedicated products for sanitizing the interiors and keep hygienic standards at the highest level.


Warnings

				
Do not immerge in Water	Do not use Bleach or solvents	Do not Iron	Do not dry clean	Do not drum dry

BOXMARK Leather GmbH & Co KG

Europastraße 11, A-8330 Feldbach, Austria, plant: I/II FN12759p, Landes- als Handelsgericht Graz
 phone.: +43/(0)3152/4171-0, fax: +43/(0)3152/4171-141 bank: Raiffeisen-Landesbank Steiermark, acct.: EUR 36.608,
 e-mail: office@boxmark.com, website: www.boxmark.com bankcode: 38000; IBAN: AT71 3800 0000 0003 6608, SWIFT-
 UID/VAT No.: ATU 27402209, DVR: 0952141 BIC: RZSTAT2G

Declarations of Conformity and Warranty

Quality Certification	ISO 9001:2008
Quality Management	ISO/TS 16949:2009
	ISO 14001:2004 Environmental management system
REACH regulation EG Nr. 1907/2006	The upholstery leather do not contain any substances listed in the candidate list (SVHC substance list) and in Annex XIV of the REACH regulation in a concentration above 0.1 wt%.
Product Safety	Testing and analysis of Polycyclic Aromatic Hydrocarbons (PAH) for current requirements of the GS Mark Certification. Category 1 Benzo[a]pyrene mg/kg Not detectable (<0.2) Sum of 16 PAH (EPA) mg/kg Not detectable (<0.2)
Declaration of Washington	not made of leather parts of animal species protected by the Washington Convention dated 03/03/1973 the goods are not included in attachments A-B-C and D of CE regulation 338/97 and that, for the tanning process of the goods, no oils obtained from wale or cetaceous, protected by the mentioned convention of Washington, have been used
CE 1334/2000	According to the regulation which sets up a Community regime for the control of exports of dual-use items and technology, the products is made of tanned bovine Leather and therefore intended for civil purposes only
CE 1523/2007	Does not contain cat and/or dog fur in accordance to regulation CE 1523/2007
Scientific Name	Bos Taurus
Commercial Name	Bull Hides
Custom Taric code	41071291
Country of origin	AT Austria
Quality defects	Boxmark assumes liability for hidden defects; in case of visible defects, the leather may not be cut. The leather must be checked upon delivery, and both quality defects and product group inadequacies must be reported to Boxmark in writing within 30 working days, stating the Delivery information, the reason for the complaint and the quantity affected.
Manufacturer	Boxmark Leather GmbH & Co KG Europastrasse, 11 A-8330 Feldbach AUSTRIA VAT Code: ATU 27402209
Production Plant	Boxmark Leather GmbH & Co KG Lederstrasse, 1 8380 Jennersdorf Austria Tel : +43-3329-433000 Fax : 0043-3329-43300641 Web : http://www.boxmark.com

BOXMARK Leather GmbH & Co KG

Europastraße 11, A-8330 Feldbach, Austria, plant: I/II phone.: +43/(0)3152/4171-0, fax: +43/(0)3152/4171-141 e-mail: office@boxmark.com , website: www.boxmark.com UID/VAT No.: ATU 27402209, DVR: 0952141	FN12759p, Landes- als Handelsgericht Graz bank: Raiffeisen-Landesbank Steiermark, acct.: EUR 36.608, bankcode: 38000; IBAN: AT71 3800 0000 0003 6608, SWIFT- BIC: RZSTAT2G
--	---